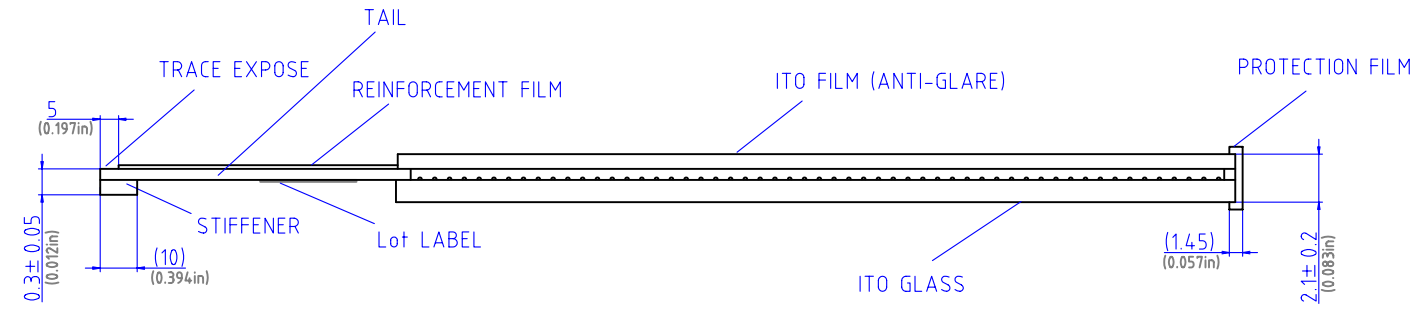


SECTION A

AIR VENT  
PART No.  
AST-104.



Tolerance± 0.5  
Unit=mm

PART	DATE
AST-104	2003.03.15
TYPE	DMC Co., Ltd.
STANDARD TOUCHSCREEN DIMENSIONAL DRAWING	