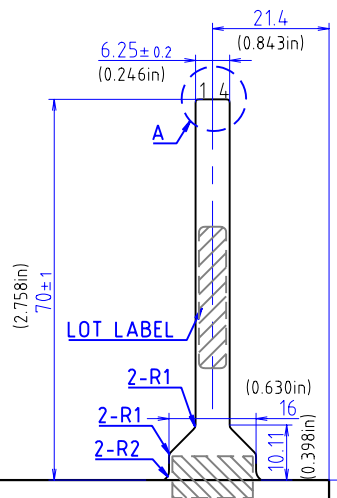


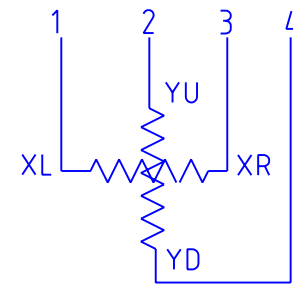
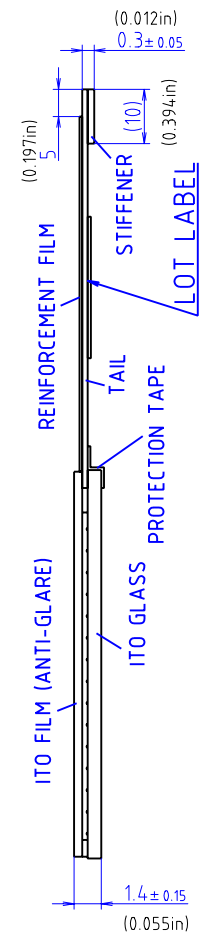
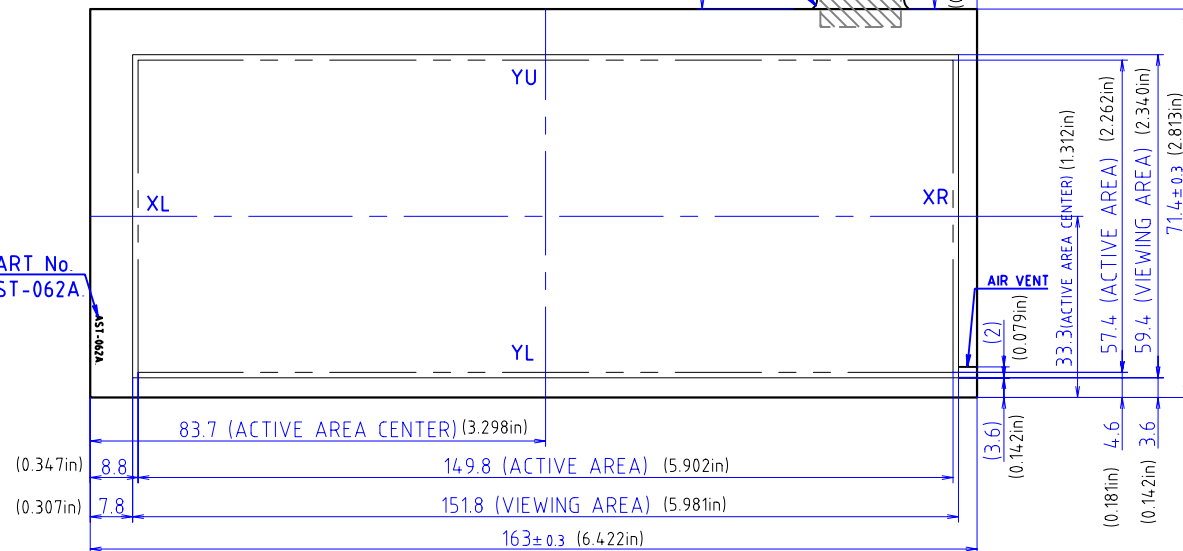
SECTION A



LOT LABEL

2-R1
2-R1
2-R2

PART No
AST-062A



PIN ASSIGNMENT

TOLERANCE = ± 0.5mm (0.02in)
EXCEPT WHERE INDICATED
UNIT = mm (inch)

PART No	DATE
AST-062A070A	June 4, 2004
TYPE	DMC Co., Ltd.
STANDARD TOUCHSCREEN DIMENSIONAL DRAWING	