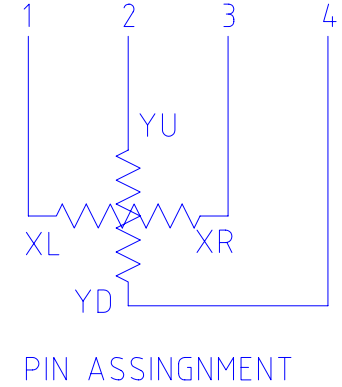
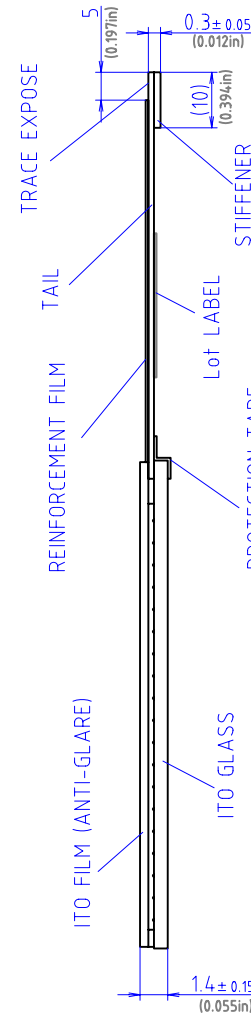
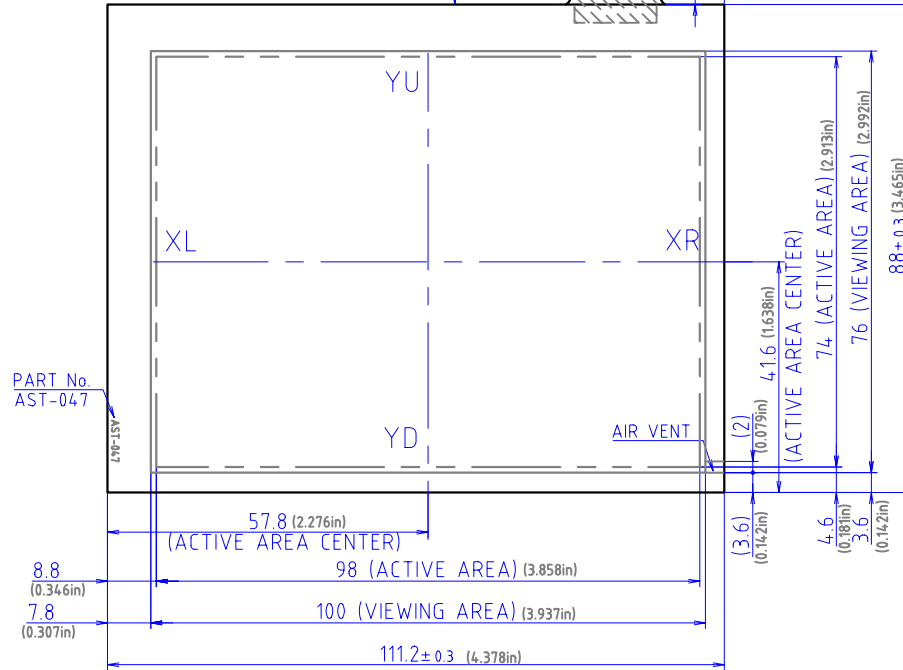
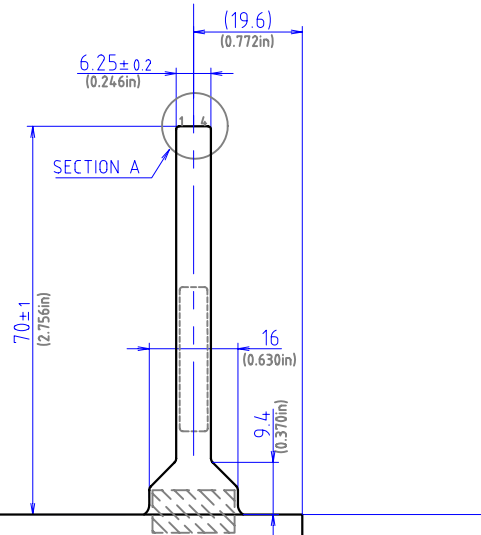
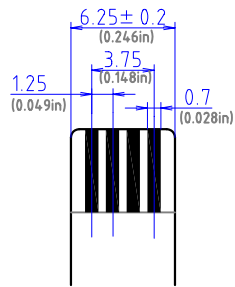


SECTION A



Tolerance ± 0.5
Unit=mm

PART	DATE
AST-047	2003.03.15
TYPE	DMC Co., Ltd.
STANDARD TOUCHSCREEN DIMENSIONAL DRAWING	